

26
26A-21B
6-6-86
P.F.

OPERATIONAL SUPPLEMENT TECHNICAL MANUAL

ILLUSTRATED PARTS BREAKDOWN

USAF SERIES

F-106A

AIRCRAFT

GENERAL DYNAMIC/CONVAIR

AF33(600)-36546

F41608-82-D-A097

F41608-84-D-A384

THIS PUBLICATION SUPPLEMENTS T.O. 1F-106A-4 DATED 1 NOVEMBER 1981. Reference to this supplement will be made on the title page of the basic publication by personnel responsible for maintaining the publication in current status.

COMMANDERS ARE RESPONSIBLE FOR BRINGING THIS SUPPLEMENT TO THE ATTENTION OF ALL AFFECTED AIR FORCE PERSONNEL.

"DISTRIBUTION STATEMENT - THIS PUBLICATION IS REQUIRED FOR OFFICIAL USE OR FOR ADMINISTRATIVE OR OPERATIONAL PURPOSES ONLY. DISTRIBUTION IS LIMITED TO U.S. GOVERNMENT AGENCIES. OTHER REQUESTS FOR THIS DOCUMENT MUST BE REFERRED TO SAN ANTONIO ALC/MMEDT, KELLY AFB, TEXAS 78241-5000."

PUBLISHED UNDER THE AUTHORITY OF THE SECRETARY OF THE AIR FORCE

15 APRIL 1986

1. PURPOSE.

The purpose of this supplement is to incorporate the requirements of TCTO 1F-106-1251.

2. INSTRUCTIONS.

a. Section I, page 1-33 is amended to add: T.O. 1F-106-1251

b. Section II, page 2.18-55, figure/index 2.18-21-9, add new Part No. 707073-801 and in the Description column under Code A and asterisk Note add new Code B as follows:

FIGURE AND INDEX NUMBER	PART NUMBER	DESCRIPTION	UNITS PER ASSY	USABLE ON CODE	
				FROM	TO
2.18-21-9	705907-801	. RECEIVER-TRANSMITTER UHF (37645) RT1145/ARC-164	1		
	707073-801	. RECEIVER, TRANSMITTER UHF (37645) RT1145B/ARC-164	1	B	
A CODE - ROUND MODEL ONLY					
* AFTER TCTO 1F-106-1224					
B CODE - AFTER TCTO 1F-106-1251					

T.O. 1F-106A-4S-102

c. Section III, page 3-59, Numerical Index is amended to add new Part No. 707073-801, in proper sequence as follows:

PART NUMBER	FIGURE AND INDEX NUMBER	QTY PER ART	SMR CODE
707073-801	2.18-21-9	1	P1

THE END

26A-21B
20 5-2-86
P.F.

T.O. 1F-106A-4S-101

OPERATIONAL SUPPLEMENT

TECHNICAL MANUAL

ILLUSTRATED PARTS BREAKDOWN

USAF SERIES

F-106A

AIRCRAFT

F41608-81-D-A062
F41608-82-D-A097
F41608-84-D-A384

THIS PUBLICATION SUPPLEMENTS T.O. 1F-106A-4 DATED 1 NOVEMBER 1981.
Reference to this supplement will be made on the title page of the basic publication by
personnel responsible for maintaining the publication in current status.

**COMMANDERS ARE RESPONSIBLE FOR BRINGING THIS SUPPLEMENT
TO THE ATTENTION OF ALL AFFECTED AIR FORCE PERSONNEL.**

"DISTRIBUTION STATEMENT — THIS PUBLICATION IS REQUIRED FOR OFFICIAL USE OR FOR ADMINISTRATIVE
OR OPERATIONAL PURPOSES ONLY. DISTRIBUTION IS LIMITED TO U.S. GOVERNMENT AGENCIES. OTHER
REQUESTS FOR THIS DOCUMENT MUST BE REFERRED TO SAN ANTONIO ALC/MMEDT, KELLY AFB, TEXAS
78241-5000."

PUBLISHED UNDER THE AUTHORITY OF THE SECRETARY OF THE AIR FORCE

15 MARCH 1986

1. PURPOSE.

The purpose of this supplement is to incorporate the data requirements for TCTO 1F-106-1239, Data Code: 0165834, dated 15 March 1986.

2. INSTRUCTIONS.

Section I, page 1-33, Time Compliance Technical Orders incorporated into this manual is amended to add, in the proper sequence: T.O. 1F-106-1239.

Section II, subsection 2.18, page 2.18-84, Figure 2.18-33, is amended as shown on page 3 of this supplement.

Section II, subsection 2.18, page 2.18-85 is amended to add index 21 thru 23 as follows:

FIGURE & INDEX NO.	PART NO.	1	2	3	4	5	6	7	DESCRIPTION	UNITS	USABLE
										PER ASSY	ON CODE FROM TO
2.18-33-21	66D40796-1	.							BRACKET ASSEMBLY (98750)	1	F
2.18-33-22	8443146-10	.							FILTER, Fuel Quantity Indicator (98750) ATTACHING PARTS	1	F
2.18-33-23	MS35207-261	.	.						SCREW	2	F

F after TCTO 1F-106-1239

Section III, pages 3-25, 3-56 and 3-171 are amended to add in proper sequence the following Part Number information:

PART NO.	FIG. & INDEX NO.	QTY PER ART.	SMR CODE
MS35207-261	2.18-33-23	2	P1
66D40796-1	2.18-33-21	1	M
8443146-10	2.18-33-22	1	P1

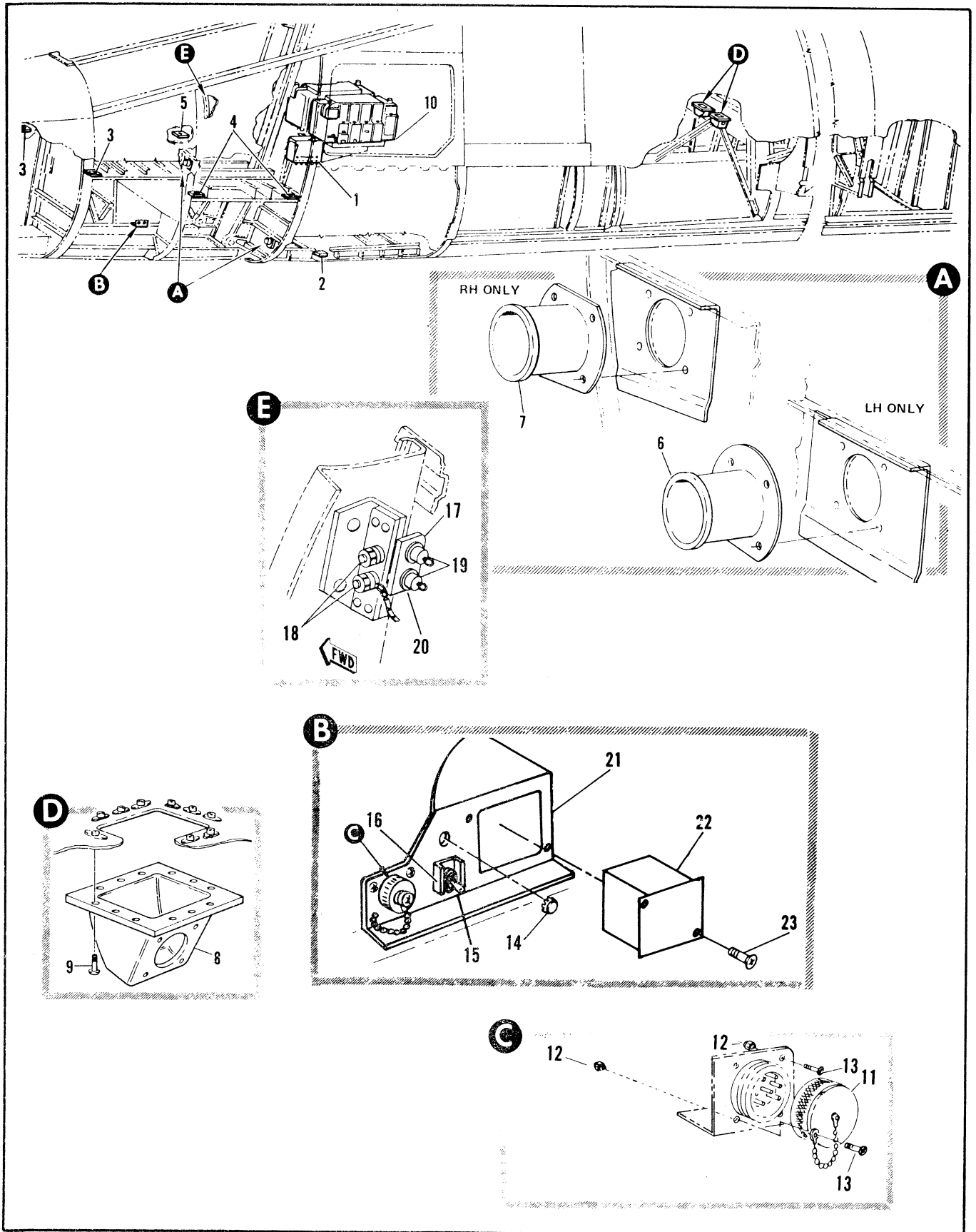


Figure 2.18-33. Power Distribution

THE END

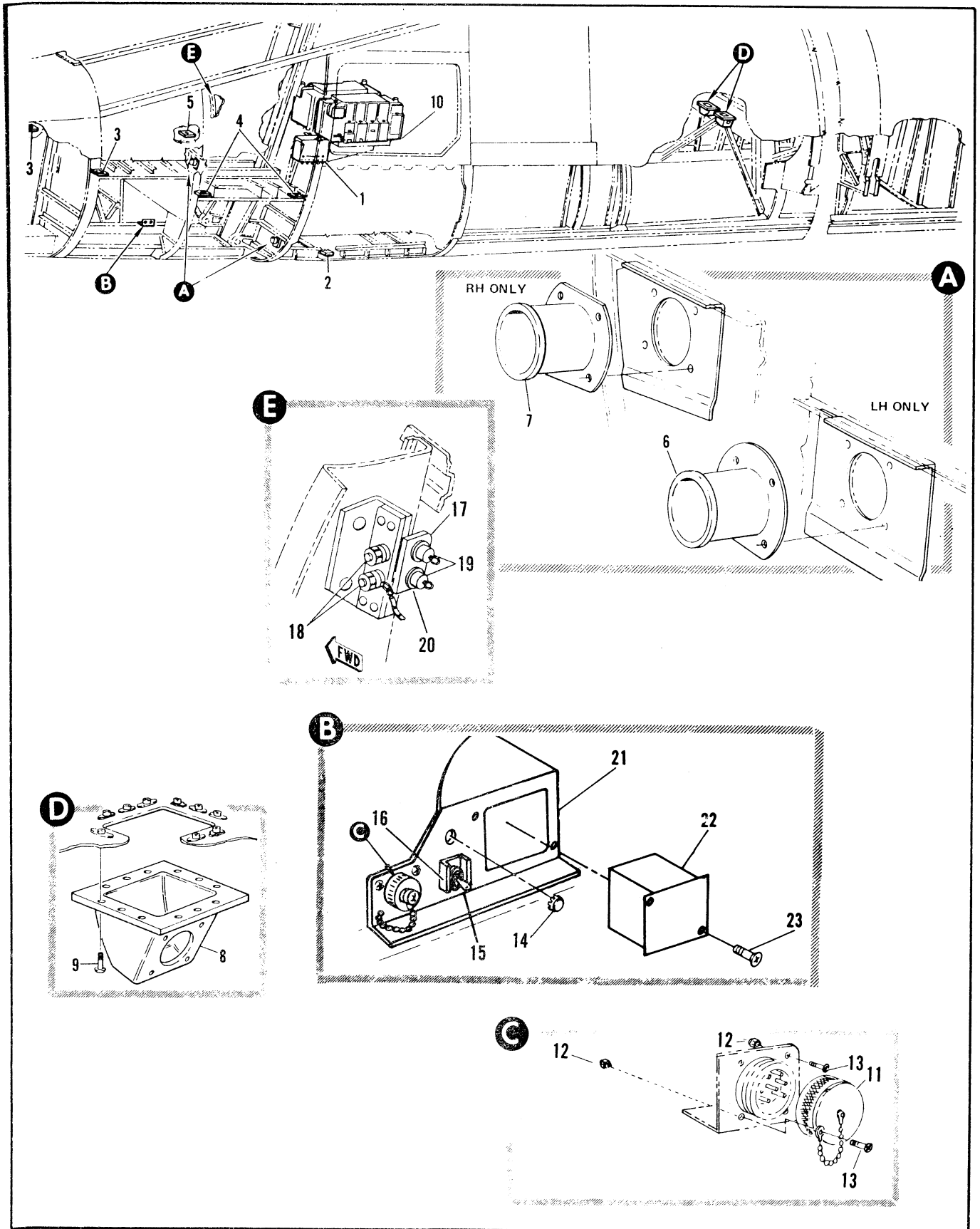


Figure 2.18-33. Power Distribution
THE END

OPERATIONAL SUPPLEMENT TECHNICAL MANUAL

ILLUSTRATED PARTS BREAKDOWN

USAF SERIES

F-106A

AIRCRAFT

F41608-81-D-A062

F41608-82-D-A097

1CB20B
6-1-84

THIS PUBLICATION SUPPLEMENTS T.O. 1F-106A-4 DATED 1 NOVEMBER 1981. Reference to this supplement will be made on the title page of the basic publication by personnel responsible for maintaining the publication in current status.

COMMANDERS ARE RESPONSIBLE FOR BRINGING THIS SUPPLEMENT TO THE ATTENTION OF ALL AFFECTED AIR FORCE PERSONNEL.

"DISTRIBUTION STATEMENT - THIS PUBLICATION IS REQUIRED FOR OFFICIAL USE OR FOR ADMINISTRATIVE OR OPERATIONAL PURPOSES ONLY. DISTRIBUTION IS LIMITED TO U.S. GOVERNMENT AGENCIES. OTHER REQUESTS FOR THIS DOCUMENT MUST BE REFERRED TO SAN ANTONIO ALC/MMEDT, KELLY AFB, TEXAS 78241."

PUBLISHED UNDER THE AUTHORITY OF THE SECRETARY OF THE AIR FORCE

30 JULY 1983

1. PURPOSE.

The purpose of this supplement is to incorporate the data requirements for TCTO 1F-106-1230, Data Code: 0162639, dated 30 July 1983.

2. INSTRUCTIONS.

Section I, page 1-33, Time Compliance Technical Orders incorporated into this manual is amended to add, in the proper sequence, T.O. 1F-106-1230.

Section II, subsection 2.20, Figure 2.20-2, page 2.20-6 is amended as shown on page 2 of this supplement.

Section II, subsection 2.20, page 2.20-7 is amended to add Index 6A as follows:

FIGURE & INDEX NO.	PART NO.	DESCRIPTION	UNITS PER ASBLY	USABLE ON CODE FROM TO
2.20-2-6A	MS27401-21	RELAY, Auxiliary Fwd Misfire	1	All
	ATTACHING PARTS			
	NAS1635-06-6	SCREW	2	All
	NAS620C6	WASHER	2	All
		-----X-----		

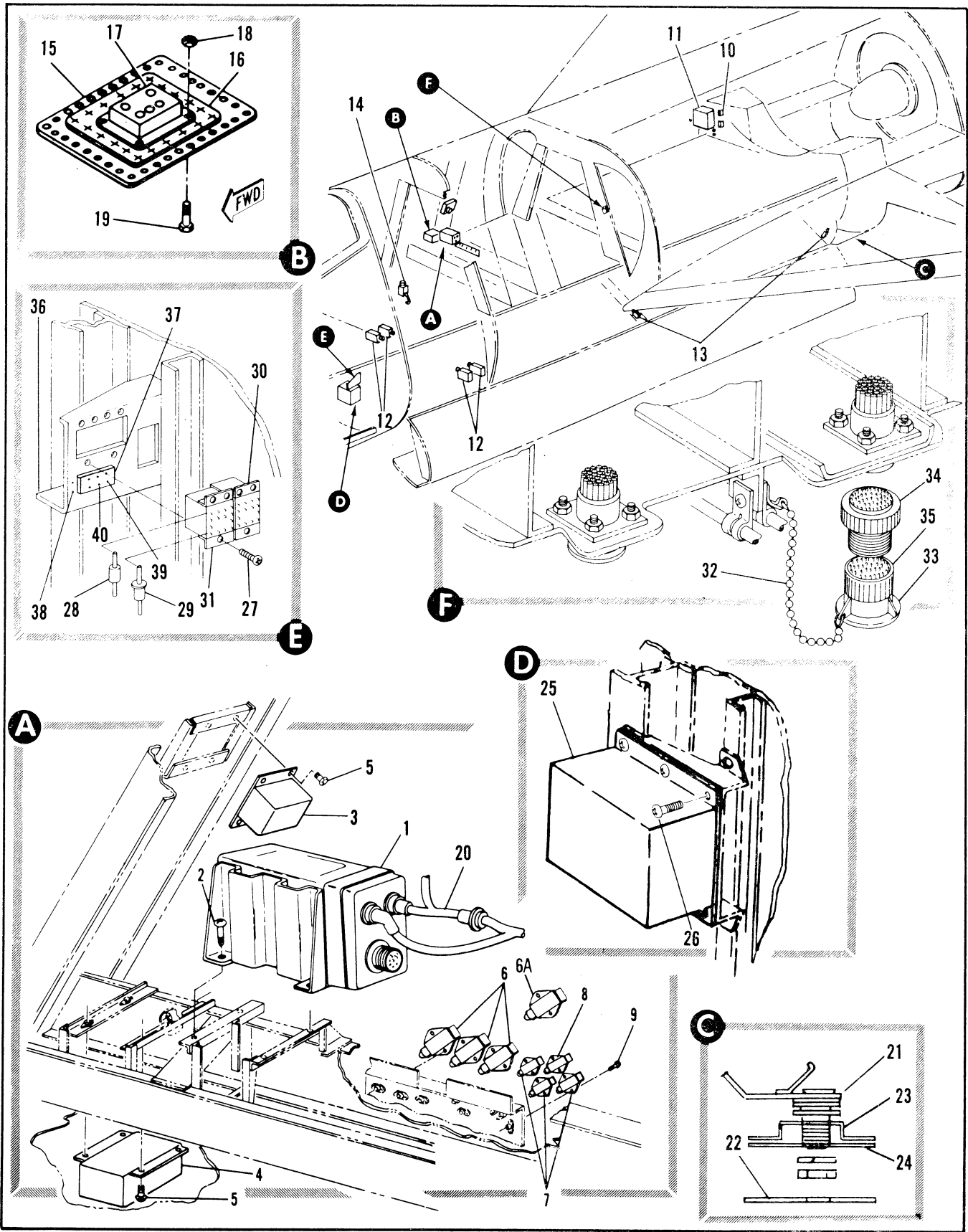


Figure 2.20-2. Armament Electrical
THE END

OPERATIONAL SUPPLEMENT TECHNICAL MANUAL

26
26

ILLUSTRATED PARTS BREAKDOWN

USAF SERIES

F-106A

Nov. 24, 1981

AIRCRAFT

F41608-81-D-A062

THIS PUBLICATION SUPPLEMENTS T.O. 1F-106A-4 DATED 1 AUGUST 1963. Reference to this supplement will be made on the title page of the basic publication by personnel responsible for maintaining the publication in current status.

COMMANDERS ARE RESPONSIBLE FOR BRINGING THIS SUPPLEMENT TO THE ATTENTION OF ALL AFFECTED AIR FORCE PERSONNEL.

"DISTRIBUTION STATEMENT - THIS PUBLICATION IS REQUIRED FOR OFFICIAL USE OR FOR ADMINISTRATIVE OR OPERATIONAL PURPOSES ONLY. DISTRIBUTION IS LIMITED TO U.S. GOVERNMENT AGENCIES. OTHER REQUESTS FOR THIS DOCUMENT MUST BE REFERRED TO SAN ANTONIO ALC/MMEDT, KELLY AFB, TEXAS 78241."

PUBLISHED UNDER THE AUTHORITY OF THE SECRETARY OF THE AIR FORCE

1 NOVEMBER 1981

1. PURPOSE.

The purpose of this supplement is to include required Illustrated Parts Breakdown support data as a result of TCTO 1F-106A-568, Data Code: 0159625, dated 1 November 1981.

2. INSTRUCTIONS.

Section II, page 2.9-103 is amended to change figure 2.9-30, item number 7 and add B code on bottom as follows:

Fig. and Index No.	Part No.	1	2	3	4	5	6	7	Description	Units per Assy	Usable on Code	Rev. Sym.
2.9-30 -7	21243-4-10	.							FILTER, Inline (Replaces MS21902D4 Union)	1	B	
	AN6290-4	.							GASKET	1	B	

B After compliance with TCTO 1F-106A-568

Section III, page 3.28 is also amended to add in numerical sequence, new Part No. 21243-4-10 as follows:

Part No.	Stock No.	Fig. and Index No.	Qty Per Art	Source Code	Repair Code
21243-4-10		2.9-30-7	1	P1	

THE END

1/(2 blank)

26

#20H
whse 21B
11 apr 88
AK

T.O. 1F-106A-4

SEE Supp
S-91
S-98
S-101
S-102

TECHNICAL MANUAL
ILLUSTRATED PARTS BREAKDOWN

USAF SERIES
F-106A
AIRCRAFT

(GENERAL DYNAMICS/CONVAIR)

AF 33(600)-36546
F41608-87-D-A288

DISTRIBUTION STATEMENT - This publication is required for official use or for Administrative or Operational purposes only. Distribution is limited to U.S. Government agencies. Other requests for this document must be referred to San Antonio ALC/MMEDT, Kelly AFB TX 78241-5000.

WARNING - This document contains technical data whose export is restricted by the Arms Export Control Act (Title 22, U.S.C., Sec 2751, et seq.) or the Export Administration Act of 1979, as amended, Title 50, U.S.C., App. 2401 et seq. Violation of these export laws are subject to severe criminal penalties.

HANDLING AND DESTRUCTION NOTICE - Handle in compliance with the distribution statement and destroy by any method that will prevent disclosure of contents or reconstruction of the document.

PUBLISHED UNDER AUTHORITY OF THE SECRETARY OF THE AIR FORCE

1 NOVEMBER 1981

CHANGE 23

1 JANUARY 1988

INSERT LATEST CHANGED PAGES. DESTROY SUPERSEDED PAGES.

LIST OF EFFECTIVE PAGES

NOTE: The portion of the text affected by the changes is indicated by a vertical line in the outer margins of the page. Changes to illustrations are indicated by miniature pointing hands. Changes to wiring diagrams are indicated by shaded areas.

Dates of issue for original and changed pages are:

Original...0....1 Nov 81	Change....10...30 Jun 84	Change....20...15 Apr 86
Change....1...30 Apr 82	Change....11...31 Aug 84	Change....21....1 Jun 86
Change....2...15 Jul 82	Change....12...31 Oct 84	Change....22....1 Mar 87
Change....3...31 Dec 82	Change....13....1 Dec 84	Change....23....1 Jan 88
Change....4....1 Mar 83	Change....14...15 Feb 85	
Change....5...15 Apr 83	Change....15....1 May 85	
Change....6....1 Sep 83	Change....16...31 Aug 85	
Change....7...15 Dec 83	Change....17....1 Jan 86	
Change....8...15 Mar 84	Change....18....1 Feb 86	
Change....9...31 May 84	Change....19....1 Mar 86	

TOTAL NUMBER OF PAGES IN THIS PUBLICATION IS 2634 CONSISTING OF THE FOLLOWING:

Page No.	*Change No.	Page No.	*Change No.	Page No.	*Change No.
Title.....	23	2.4-4 - 2.4-5.....	1	2.6-136 - 2.6-174.0	
A - D.....	23	2.4-6 - 2.4-8.....	0	2.6-175.....	1
E Blank.....	23	2.4-9.....	21	2.6-176 - 2.6-197.0	
i - xi.....	0	2.4-10 Blank.....	21	2.6-198 Blank.....	0
xii Blank.....	0	2.4-11 - 2.4-39...0		2.7-1 - 2.7-33.....0	
1-1 - 1-17.....0		2.4-40 - 2.4-41...2		2.7-34 Blank.....0	
1-18 Blank.....0		2.4-42 - 2.4-43...0		2.7-35.....	0
1-19 - 1-32.....0		2.4-44 Blank.....0		2.7-36 Blank.....0	
1-33.....	8	2.4-45 - 2.4-49...0		2.8-1 - 2.8-4.....0	
1-34 - 1-37.....0		2.4-50 - 2.4-51...2		2.8-5.....	3
1-38 Blank.....0		2.4-52 - 2.4-63...0		2.8-6.....	0
2.1-1 - 2.1-13.....0		2.4-64 Balnk.....0		2.8-7.....	9
2.1-14 Blank.....0		2.5-1 - 2.5-2.....0		2.8-8 - 2.8-12.....0	
2.2-1 - 2.2-17.....0		2.5-3.....	4	2.8-13.....	3
2.2-18 Blank.....0		2.5-4 - 2.5-5.....0		2.8-14.....	0
2.2-19 - 2.2-33...0		2.5-6.....	2	2.8-15.....	15
2.2-34 Blank.....0		2.5-7.....	8	2.8-16 - 2.8-19...0	
2.2-35 - 2.2-75...0		2.5-8 - 2.5-23...0		2.8-20.....	6
2.2-76 - 2.2-77..13		2.5-24 Blank.....0		2.8-21 - 2.8-47...0	
2.2-78 - 2.2-79...0		2.5-25 - 2.5-27...0		2.8-48 Blank.....0	
2.2-80 Blank.....0		2.5-28 Blank.....0		2.8-49 - 2.8-62...0	
2.2-81 - 2.2-107..0		2.5-29 - 2.5-35...0		2.8-63.....	5
2.2-108 Blank.....0		2.5-36 - 2.5-37...1		2.8-64 - 2.8-69...0	
2.3-1 - 2.3-43...0		2.5-38 - 2.5-39...0		2.8-70 Blank.....0	
2.3-44 Blank.....0		2.5-40 Blank.....0		2.8-71 - 2.8-73...0	
2.3-45 - 2.3-86...0		2.6-1 - 2.6-133...0		2.8-74.....	2
2.3-87.....	3	2.6-134.....	1	2.8-75.....	3
2.3-88 - 2.3-105..0		2.6-134A.....	1	2.8-76.....	2
2.3-106 Blank.....0		2.6-134B Blank...1		2.8-77.....	0
2.4-1 - 2.4-3.....0		2.6-135.....	1	2.8-78.....	2

* Zero in this column indicates an original page.

LIST OF EFFECTIVE PAGES

Page No.	*Change No.	Page No.	*Change No.	Page No.	*Change No.
2.8-79.....	0	2.12-1.....	0	2.13-109.....	1
2.8-80.....	2	2.12-2 Blank.....	0	2.13-110.....	3
2.8-81 - 2.8-113..	0	2.12-3 - 2.12-5...	0	2.13-111.....	0
2.8-114 Blank.....	0	2.12-6 - 2.12-7...	6	2.13-112.....	3
2.8-115.....	0	2.12-8 - 2.12-28..	0	2.13-113.....	0
2.8-116 - 2.8-117.9	0	2.12-29.....	15	2.13-114.....	3
2.8-118 - 2.8-119.4	0	2.12-30 - 2.12-35.0	0	2.13-115.....	0
2.8-120 - 2.8-135.0	0	2.12-36.....	2	2.13-116 -	
2.8-136 Blank.....	0	2.12-37.....	3	2.13-118.....	3
2.9-1 - 2.9-3.....	0	2.12-38 - 2.12-39.7	0	2.13-119.....	0
2.9-4.....	2	2.12-40 - 2.12-42.0	0	2.13-120.....	3
2.9-5.....	19	2.12-43.....	23	2.13-121 -	
2.9-6 - 2.9-10....	0	2.12-44.....	0	2.13-124.....	0
2.9-11.....	2	2.12-45.....	3	2.13-125.....	4
2.9-12 - 2.9-52...0	0	2.12-46 -		2.13-126 -	
2.9-53.....	1	2.12-162.....	0	2.13-131.....	0
2.9-54 - 2.9-82...0	0	2.12-163.....	3	2.13-132 Blank....	0
2.9-83.....	2	2.12-164 -		2.14-1 - 2.14-26..0	0
2.9-84 - 2.9-96...0	0	2.12-194.....	0	2.14-27.....	4
2.9-97 - 2.9-99...5	0	2.12-195.....	3	2.14-28 - 2.14-48.0	0
2.9-100 - 2.9-116.0	0	2.12-196 -		2.14-49.....	4
2.9-117.....	8	2.12-340.....	0	2.14-50.....	0
2.9-118 - 2.9-119.0	0	2.12-341.....	3	2.14-51.....	5
2.9-120.....	6	2.12-342 -		2.14-52 - 2.14-73.0	0
2.9-121 - 2.9-130.0	0	2.12-348.....	0	2.14-74.....	11
2.9-131.....	6	2.12-349.....	8	2.14-75 - 2.14-94.0	0
2.9-132 - 2.9-133.4	0	2.12-350.....	0	2.14-95.....	15
2.9-134 - 2.9-139.0	0	2.12-351.....	8	2.14-96 -	
2.9-140 Blank.....	0	2.12-352 -		2.14-130.....	0
2.10-1 - 2.10-2...0	0	2.12-379.....	0	2.14-131.....	3
2.10-3.....	4	2.12-380 Blank.....	0	2.14-132 -	
2.10-4 - 2.10-10..0	0	2.12-381 -		2.14-141.....	0
2.10-11.....	4	2.12-391.....	0	2.14-142 Blank....	0
2.10-12 - 2.10-22.0	0	2.12-392 Blank.....	0	2.14-143 -	
2.10-23.....	8	2.13-1 - 2.13-8...0	0	2.14-156.....	0
2.10-24 - 2.10-27.0	0	2.13-9.....	3	2.14-157.....	6
2.10-28 - 2.10-29.2	0	2.13-10 - 2.13-26.0	0	2.14-158 -	
2.10-30 - 2.10-31.4	0	2.13-27.....	3	2.14-165.....	0
2.10-32.....	9	2.13-28 - 2.13-36.0	0	2.14-166 Blank....	0
2.10-33.....	10	2.13-37.....	6	2.15-1 - 2.15-10..0	0
2.10-34 - 2.10-91.0	0	2.13-38 - 2.13-63.0	0	2.15-11.....	16
2.10-92.....	5	2.13-64.....	4	2.15-12.....	0
2.10-93 -		2.13-65 - 2.13-95.0	0	2.15-13.....	16
2.10-123.....	0	2.13-96 - 2.13-97.4	0	2.15-14.....	0
2.10-124 Blank....	0	2.13-98 -		2.15-15.....	14
2.11-1 - 2.11-24..0	0	2.13-102.....	0	2.15-16 - 2.15-50.0	0
2.11-25.....	16	2.13-103.....	5	2.15-51.....	1
2.11-26 - 2.11-39.0	0	2.13-104 -		2.15-52 - 2.15-53.9	0
2.11-40 Blank.....	0	2.13-108.....	0	2.15-54 - 2.15-67.0	0

*Zero in this column indicates an original page.

LIST OF EFFECTIVE PAGES

Page No.	*Change No.	Page No.	*Change No.	Page No.	*Change No.
2.15-68 - 2.15-69.9		2.17-98 - 2.17-99.5		2.18-46.....12	
2.15-70 - 2.15-78.0		2.17-100 -		2.18-47.....15	
2.15-79.....9		2.17-101.....0		2.18-48 - 2.18-51.0	
2.15-80 - 2.15-92.0		2.17-102 -		2.18-52.....3	
2.15-93.....6		2.17-103.....5		2.18-53.....0	
2.15-94 -		2.17-104 -		2.18-54 - 2.18-55.7	
2.15-105.....0		2.17-105.....0		2.18-56 - 2.18-64.0	
2.15-106 -		2.17-106 -		2.18-65.....3	
2.15-107.....22		2.17-107.....5		2.18-66 - 2.18-70.0	
2.15-108 -		2.17-108 -		2.18-71.....2	
2.15-109.....0		2.17-111.....0		2.18-72 - 2.18-81.0	
2.15-110 -		2.17-112 -		2.18-82 - 2.18-83	
2.15-111.....22		2.17-115.....5		Deleted.....2	
2.15-112 -		2.17-116 -		2.18-84 - 2.18-85.0	
2.15-126.....0		2.17-119.....0		2.18-86 - 2.18-87.2	
2.15-127.....3		2.17-120 -		2.18-88 - 2.18-91.0	
2.15-128 -		2.17-121.....5		2.18-92 - 2.18-93.3	
2.15-131.....0		2.17-122 -		2.18-94 - 2.18-97.0	
2.15-132 Blank....0		2.17-123.....0		2.18-98 Blank....0	
2.16-1 - 2.16-20..0		2.17-124 Blank....0		2.19-1 - 2.19-8...0	
2.16-21.....2		2.17-125 -		2.19-9.....3	
2.16-22 - 2.16-46.0		2.17-127.....0		2.19-10 - 2.19-17.0	
2.16-47.....6		2.17-128 -		2.19-18 Blank....0	
2.16-48 - 2.16-50.0		2.17-129.....5		2.20-1.....8	
2.16-51.....1		2.17-130 -		2.20-2 - 2.20-5...0	
2.16-52 - 2.16-58.0		2.17-131.....0		2.20-6.....9	
2.16-59.....9		2.17-132 Blank....0		2.20-7.....15	
2.16-60.....0		2.17-133 -		2.20-8 Blank....15	
2.16-61.....9		2.17-142.....0		2.20-9.....0	
2.16-62 - 2.16-72.0		2.17-143.....2		2.20-10 - 2.20-13.5	
2.16-73.....7		2.17-144 -		2.20-14.....0	
2.16-74 - 2.16-91.0		2.17-149.....0		2.20-15.....8	
2.16-92 Blank....0		2.17-150 Blank....0		2.20-16.....0	
2.17-1.....0		2.18-1.....2		2.20-17.....16	
2.17-2 - 2.17-5..13		2.18-2 - 2.18-9...0		2.20-18.....0	
2.17-6 - 2.17-19..0		2.18-10 - 2.18-11		2.20-19.....16	
2.17-20.....2		Deleted.....2		2.20-20.....0	
2.17-20A -		2.18-12 - 2.18-13.0		2.20-21.....16	
2.17-20B.....2		2.18-14.....12		2.20-22 - 2.20-24.0	
2.17-21.....2		2.18-15.....0		2.20-25.....13	
2.17-22 - 2.17-50.0		2.18-16 -		2.20-26 - 2.20-45.0	
2.17-51.....2		2.18-17.....12		2.20-46.....5	
2.17-52 - 2.17-75.0		2.18-18 - 2.18-38.0		2.20-47.....3	
2.17-76 - 2.17-77.5		2.18-39.....4		2.20-48 - 2.20-75.0	
2.17-78 - 2.17-83.0		2.18-40 -		2.20-76.....12	
2.17-84 - 2.17-85.5		2.18-42.....12		2.20-77.....15	
2.17-86 - 2.17-93.0		2.18-43.....15		2.20-78.....12	
2.17-94 - 2.17-95.5		2.18-44 Blank....15		2.20-79 - 2.20-81.0	
2.17-96 - 2.17-97.0		2.18-45.....0		2.20-82.....8	

*Zero in this column indicates an original page.

LIST OF EFFECTIVE PAGES

Page No.	*Change No.	Page No.	*Change No.	Page No.	*Change No.
2.20-82A -		3-26.....	23	3-148 - 3-161.....	0
2.20-82D.....	8	3-27.....	13	3-162.....	13
2.20-83 -		3-28.....	17	3-163 - 3-167.....	0
2.20-102.....	0	3-29.....	3	3-168.....	4
2.20-103.....	16	3-30.....	2	3-169 - 3-170.....	0
2.20-104 -		3-31.....	8	3-171.....	15
2.20-119.....	0	3-32 - 3-33.....	3	3-172 - 3-173.....	2
2.20-120.....	3	3-34.....	8	3-174 - 3-175.....	4
2.20-121.....	6	3-35.....	6	3-176 Blank.....	4
2.20-122 -		3-36.....	3		
2.20-123.....	3	3-37.....	15		
2.20-124.....	1	3-38 - 3-40.....	3		
2.20-125 -		3-41.....	13		
2.20-134.....	0	3-42.....	6		
2.20-135.....	17	3-43.....	3		
2.20-136 -		3-44.....	19		
2.20-138.....	0	3-45.....	3		
2.20-139.....	2	3-46.....	13		
2.20-140 -		3-47 - 3-49.....	12		
2.20-144.....	0	3-50.....	19		
2.20-145.....	16	3-51.....	12		
2.20-146 -		3-52 - 3-57.....	3		
2.20-164.....	0	3-58.....	21		
2.20-165.....	20	3-59.....	8		
2.20-166 Blank.....	20	3-60 - 3-61.....	3		
2.21-1 - 2.21-41.....	0	3-62.....	4		
2.21-42 Blank.....	0	3-63.....	3		
3-1 - 3-3.....	0	3-64.....	9		
3-4.....	9	3-65.....	15		
3-5.....	13	3-66.....	3		
3-6.....	9	3-67 - 3-95.....	4		
3-7.....	5	3-96.....	6		
3-8.....	23	3-97.....	4		
3-9.....	4	3-98.....	6		
3-10.....	12	3-99 - 3-113.....	4		
3-11.....	4	3-114 - 3-115.....	12		
3-12.....	6	3-116.....	4		
3-13.....	0	3-117 - 3-119.....	6		
3-14.....	6	3-120.....	12		
3-15.....	9	3-121 - 3-125.....	6		
3-16.....	7	3-126.....	8		
3-17.....	3	3-127.....	12		
3-18.....	16	3-128.....	8		
3-19.....	22	3-129.....	6		
3-20.....	20	3-130.....	5		
3-21.....	19	3-131 - 3-139.....	0		
3-22.....	12	3-140.....	3		
3-23.....	4	3-141 - 3-146.....	0		
3-24 - 3-25.....	8	3-147.....	2		

*Zero in this column indicates an original page.

